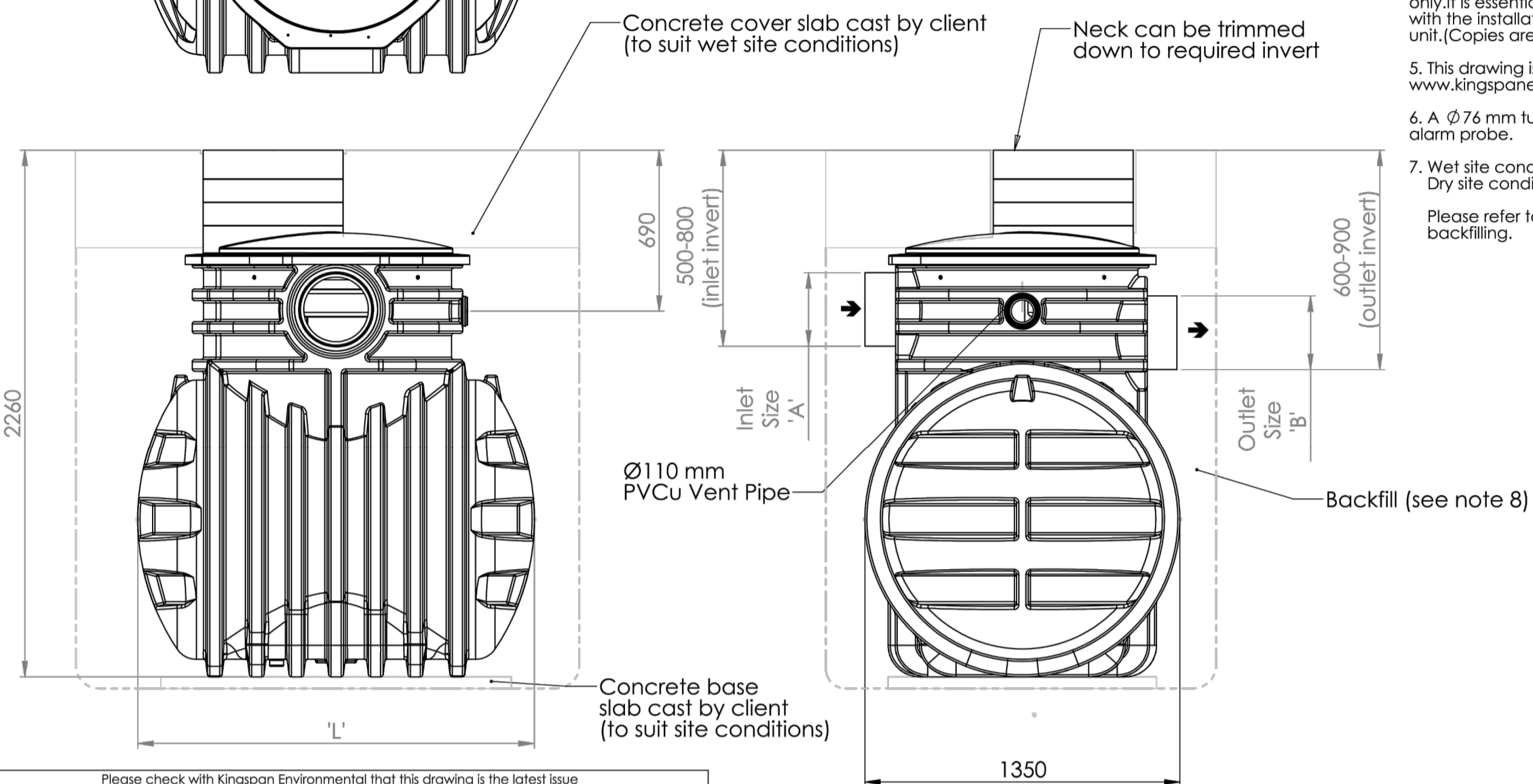


Unit Ref No	Nominal Flow	Dim L (mm)	Approx Empty Weight (kgs)	Fall across unit	Inlet Size 'A'	Outlet Size 'B'
NSBP003	3 L/s	1700	180	100	Ø160 mm	Ø160 mm
NSBP004	4 L/s	1700	180	100	Ø160 mm	Ø160 mm
NSBP006	6 L/s	1700	180	100	Ø315 mm	Ø315 mm

- Notes:-**
- Inlet/Outlet pipes are plain pipe Ø315 mm PVCu. The standard EN 858 states minimum connection sizes, units ordered with different sized connections are not fully compliant with the standard.
 - Extension necks for deeper inverts can be provided. These can be cut in 200 mm sections. Max 2.0m invert recommended. Please ask our sales department for further details.
 - All units require appropriate cover and frame to suit applied loadings.
 - This drawing should be used for dimensional information only. It is essential that this drawing is read in conjunction with the installation guidelines supplied with the unit. (Copies are available from our sales dept.).
 - This drawing is also available on our website www.kingspanenv.com.
 - A Ø76 mm tube (internal) is supplied to house an oil alarm probe.
 - Wet site conditions - Concrete Backfill
Dry site conditions - Pea Shingle Backfill
- Please refer to installation manual for details of correct backfilling.



Issue	Date	Drawn by	Approved by	Description
07	15/12/11	S.Gill		CC1020
06	15/12/10	S.Gill		CC 924
05	24/03/10	S.Gill		CC817
04	24/02/10	S.Gill		CC794
03	23/02/10	S.Gill		Table Edited
02	23/09/09	S.Gill		Drawing Description Changed
01	19/03/09	S.Gill		Initial Release

Material: n/a	Tolerance: n/a	Drawing: NSBP003.004 & 006 Sales Drawing	Page 1 of 1
Finish: n/a	Thickness: n/a	Weight: Kgs n/a	
Drawing: NSBP003.004 & 006 Sales Drawing			
Drg No: DSO993			

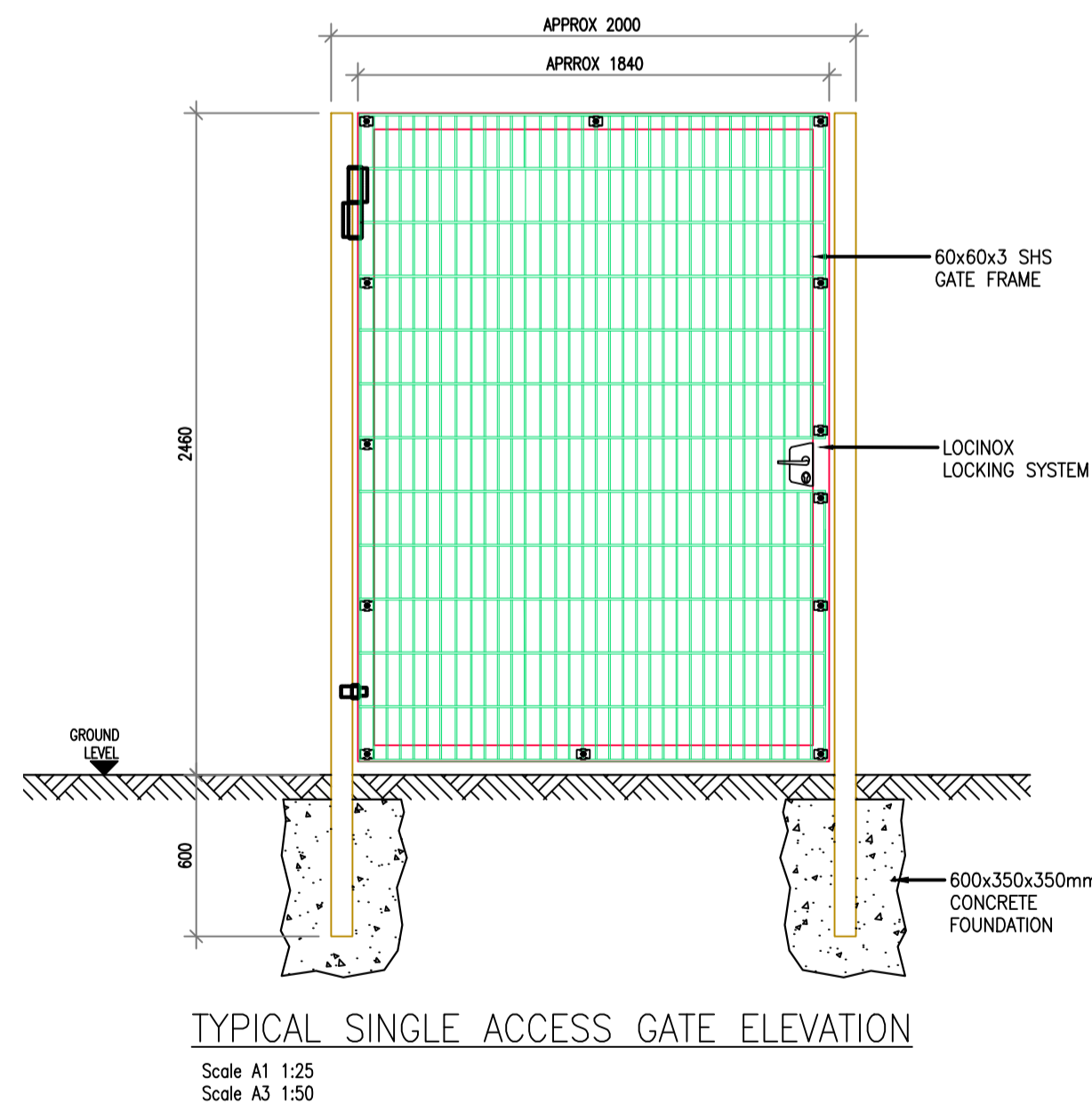
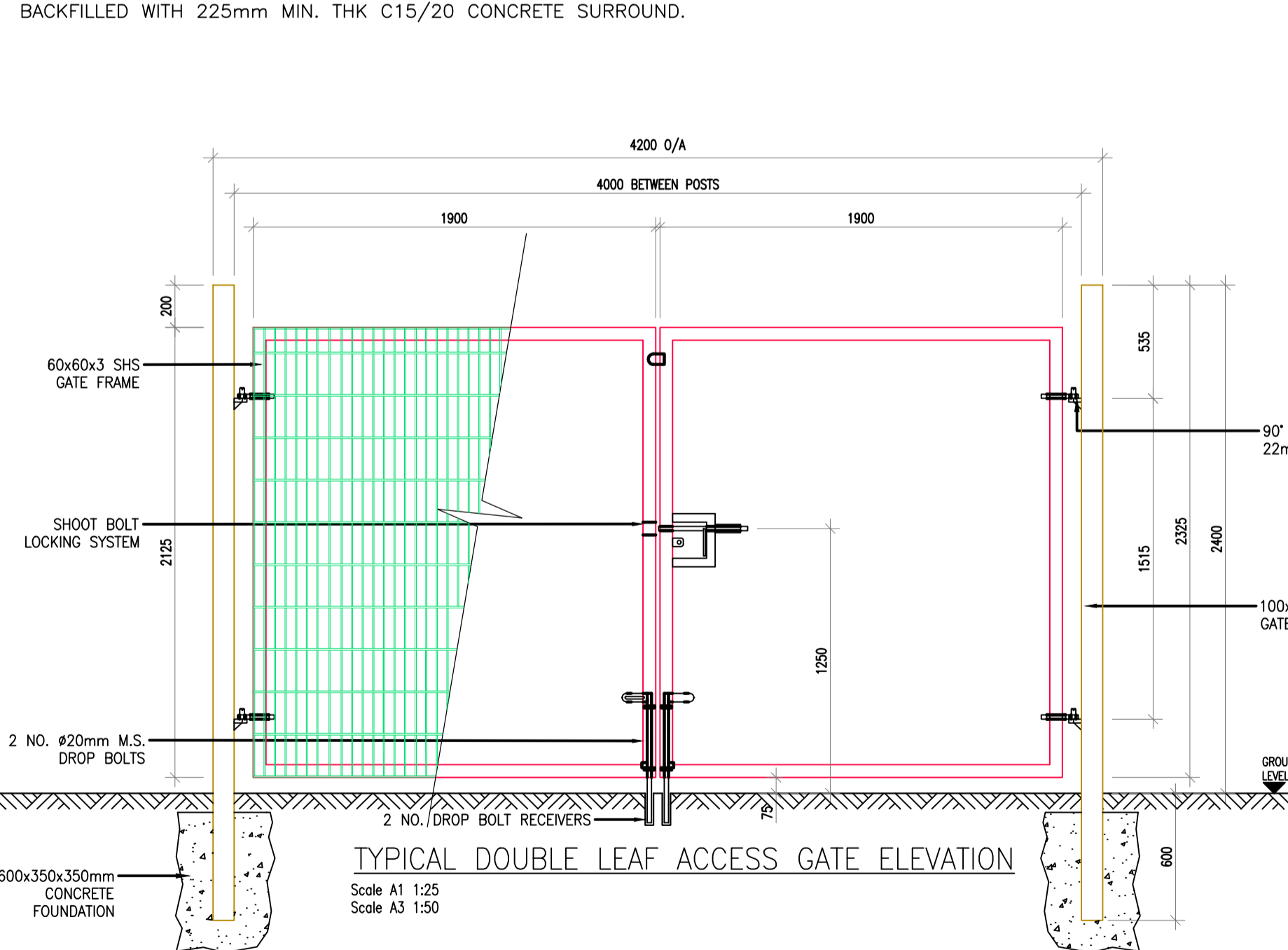
All dimensions in mm
Scale: Not to scale

Kingspan Environmental reserve the right to alter the details of this drawing without prior notice. This drawing is copyright and may not be reproduced or used without the written permission of Kingspan Environmental.

KLARGESTER BYPASS SEPARATOR DETAILS

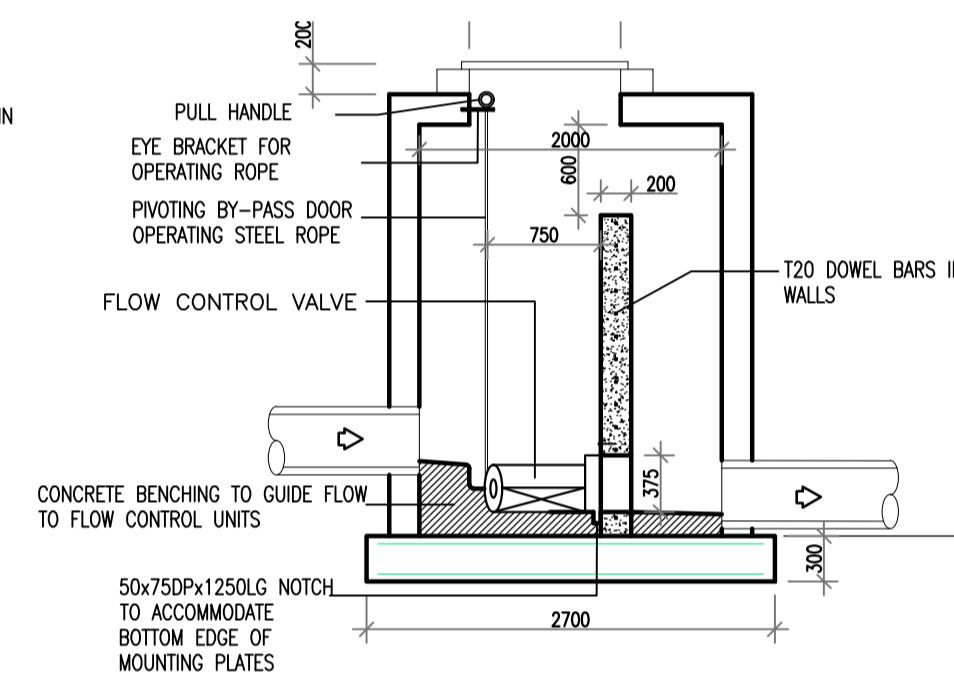
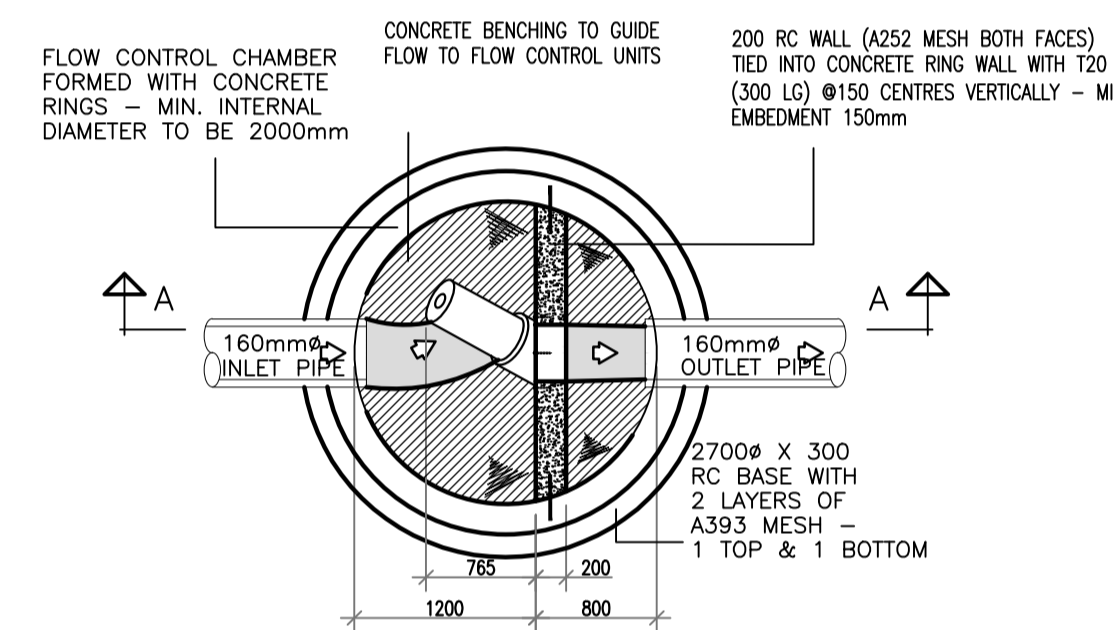
NOT TO SCALE

NOTE: UNIT TO BE PLACED ON 100mm MIN. THK C30/37 CONCRETE BASE / FOUNDATION & BACKFILLED WITH 225mm MIN. THK C15/20 CONCRETE SURROUND.



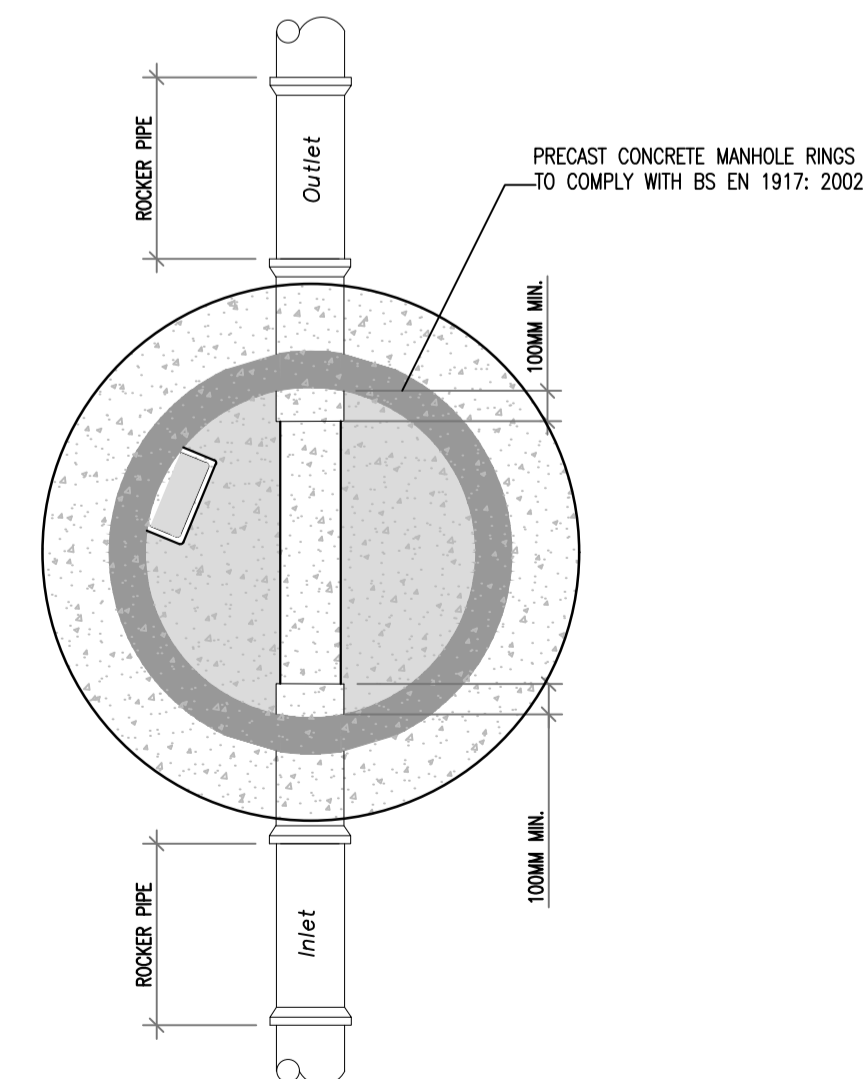
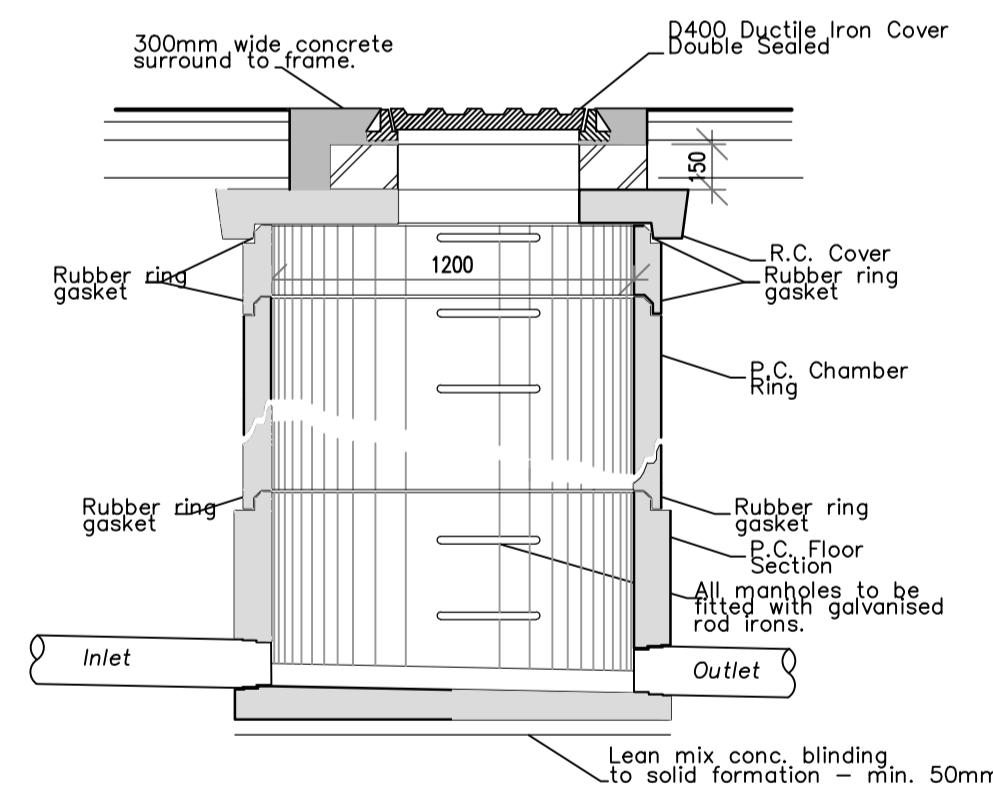
PLAN ON FLOW CONTROL CHAMBER (HYDROBREAK)

Scale 1:50



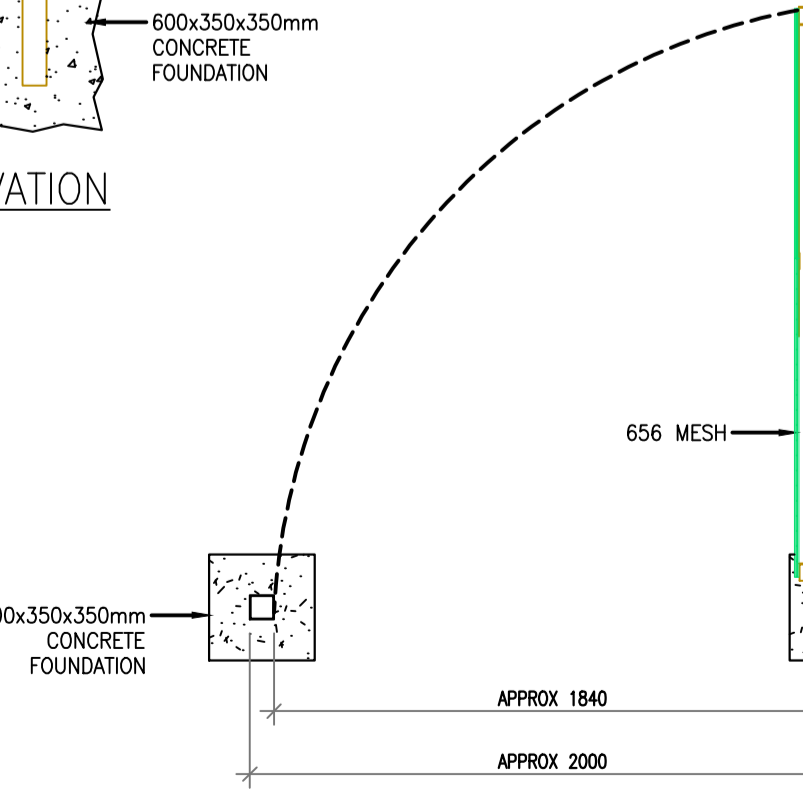
PRE-CAST MANHOLE DETAIL

A1 1:25
A3 1:50



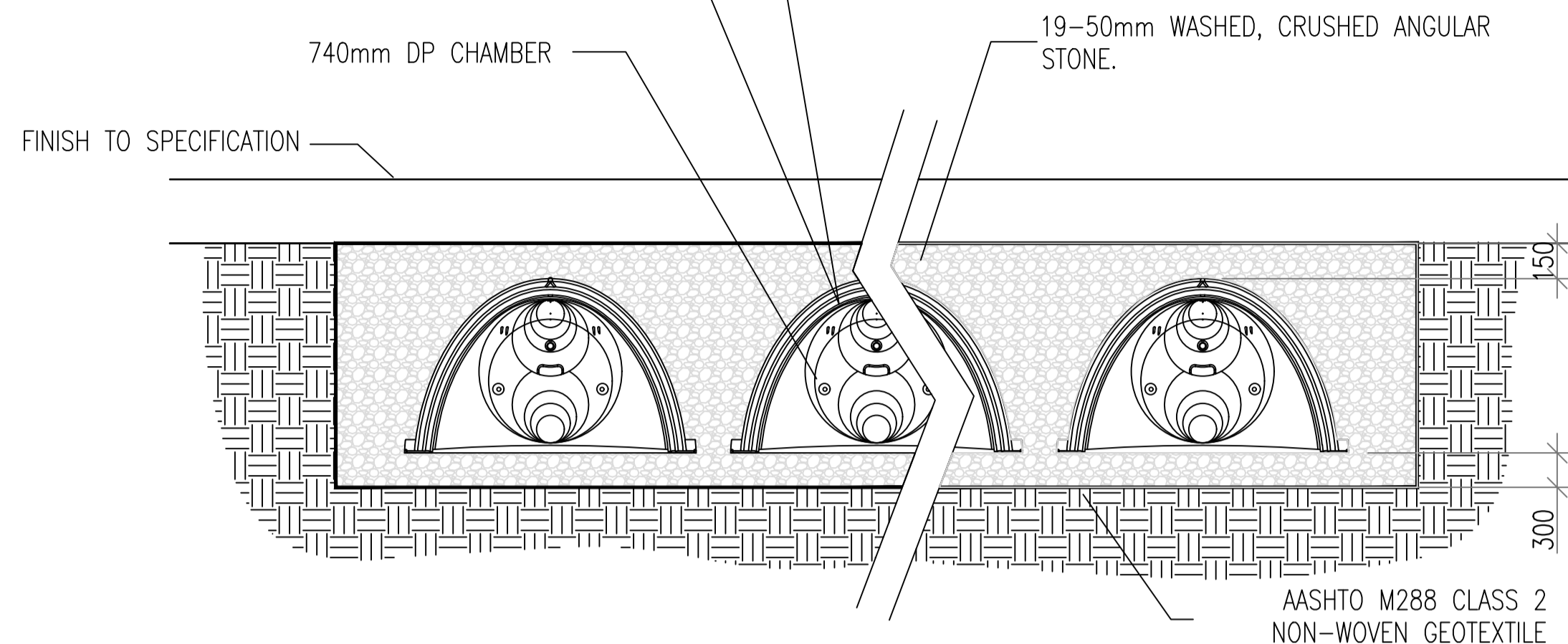
TYPICAL SINGLE ACCESS GATE PLAN

Scale A1 1:25
Scale A3 1:50



THE INSTALLED CHAMBER SHALL PROVIDE THE SAFETY FACTORS SPECIFIED IN THE AASHTO LFRD BRIDGE DESIGN SPECIFICATIONS SECTION 12.12 FOR EARTH AND LIVE LOADS, WITH MULTIPLE VEHICLE PRESENCES

CHAMBERS SHALL MEET ASTM F 2418-05 "STANDARD SPECIFICATION FOR POLYPROPYLENE (PP) CORRUGATED WALL STORMWATER COLLECTION CHAMBERS".



SECTION THROUGH ATTENUATION SYSTEM

A1 SCALE 1:25
A3 SCALE 1:50

Health and Safety:

THIS DRAWING TO BE READ IN CONJUNCTION WITH ALL OTHER RELEVANT DRAWINGS, THE SPECIFICATION AND THE SAFETY AND HEALTH PLAN.

THE APPOINTMENT OF THE PROJECT SUPERVISOR DESIGN PROCESS IS THE CLIENT'S RESPONSIBILITY.

TEMPORARY WORKS PROPOSALS AND/OR METHOD STATEMENTS TO BE SUBMITTED TO THE PSPD AND THE PCS FOR WORKS WHICH INVOLVE PARTICULAR RISKS.

Notes:

- NO PART OF THIS DRAWING MAY BE REPRODUCED OR TRANSMITTED IN ANY FORM OR STORED IN ANY RETRIEVAL SYSTEM OF ANY NATURE WITHOUT THE WRITTEN PERMISSION OF MALONE O'REGAN CONSULTING ENGINEERS AS COPYRIGHT HOLDER EXCEPT AS AGREED FOR USE ON THE PROJECT FOR WHICH THE DRAWING WAS ORIGINALLY ISSUED.
- THE APPOINTMENT OF THE PROJECT SUPERVISOR DESIGN PROCESS IS THE CLIENT'S RESPONSIBILITY.
- ALL DIMENSIONS IN mm UNLESS NOTED OTHERWISE.
- THE CONTRACTOR SHALL CHECK ALL DIMENSIONS PRIOR TO COMMENCEMENT OF CONSTRUCTION. DISCREPANCIES SHALL BE REPORTED TO THIS OFFICE IN WRITING.
- THIS DRAWING TO BE READ IN ACCORDANCE WITH ALL RELEVANT ENGINEERS' DRAWINGS AND SPECIFICATIONS.

P	PLANNING ISSUE	01.11.2021	SF	CO'B	BM
---	----------------	------------	----	------	----

Rev.	Description	Date	Drawn	Chkd	Appr
------	-------------	------	-------	------	------

THIS DRAWING TO BE USED FOR PLANNING PURPOSES ONLY

MDR
MALONE O'REGAN
CONSULTING ENGINEERS

3-4 Canada Street
Waterford
Co. Waterford.
X91 V52K
Tel: +353 51 876 855
Email: waterford@morce.ie
Web: www.maloneoregan.com

Offices also in:
DUBLIN : Tel: +353 1 260 2655 Email: dublin@morce.ie
GALWAY: Tel: +353 91 531 069 Email: galway@morce.ie
LONDON: Tel: +44 208 5281685 Email: london@morce.ie

Client: SLIGO COUNTY COUNCIL

Job: FINISKILN PUBLIC PARK,
FAR FINISKILN ROAD, Co. SLIGO.

Drawing: SITE DEVELOPMENT DETAILS
(SHEET 3 OF 3)

Job No	Drg No	Stage	Revision	Scale
W21005	P817	PL	P	A1 As Shown A3 As Shown

P:\2021\W21005\07_Design and Drawings\1_MOR\16 - Planning\PBS-P817_P_Site Development Details.dwg